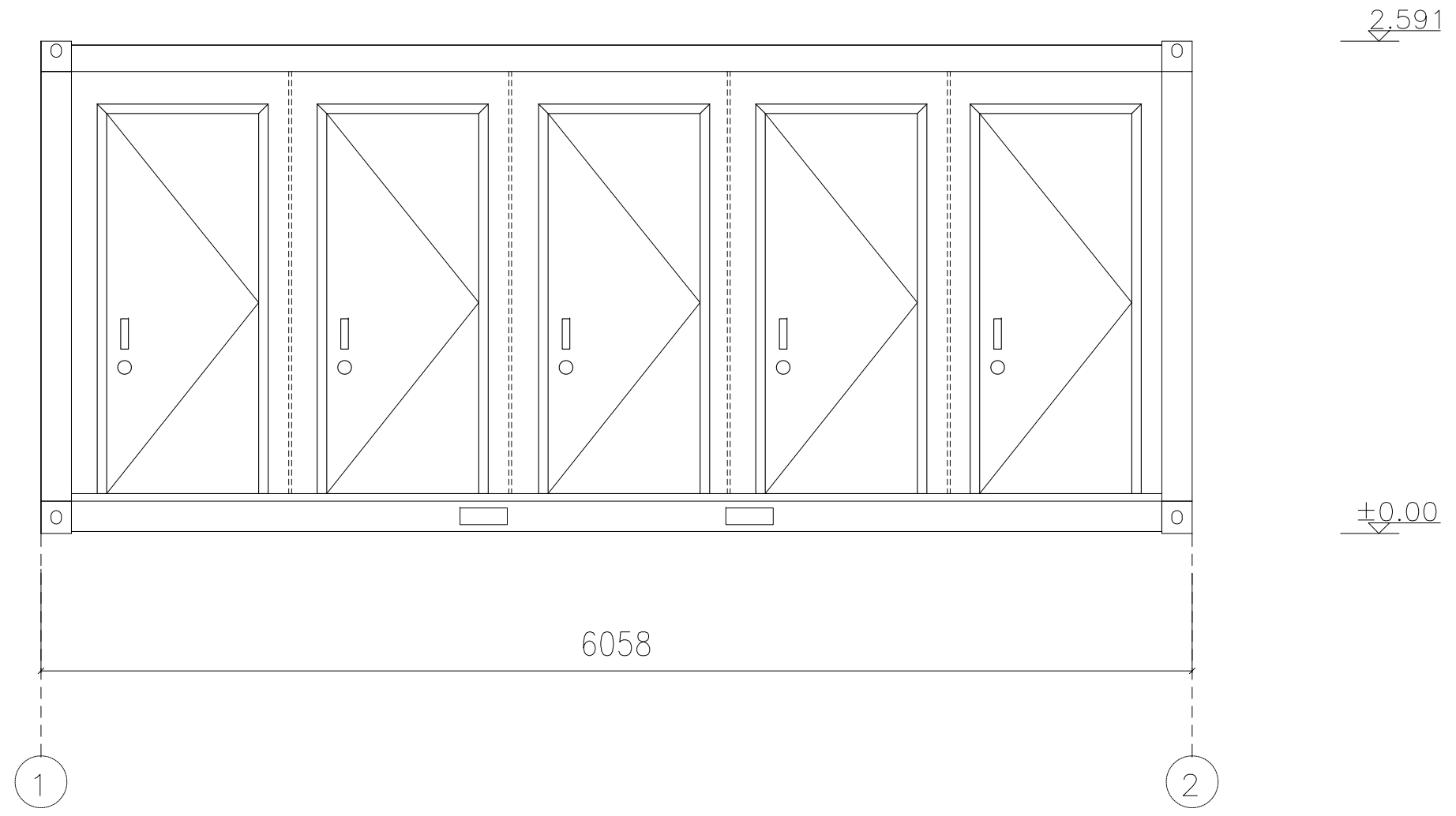


floor layout

- D1 steel door: W900mm*H2080mm
- Ext. wall 75mmEPS sandwich panel, two sides 0.45mm steel sheet (white) ,EPS density12kg/m²
- Int. wall 50mmEPS sandwich panel, two sides 0.45mm steel sheet (white) ,EPS density12kg/m²
- Floor fiber cement board +PVC

版本 Rev.	修改内容 Description	日期 Date
Zhejiang Putian integrated housing Co., Ltd. Hangzhou Zhonggu Architecture Design (Institute) Co., Ltd.		
证书编号		
合作设计单位 Cooperative Designer		
工序 Process	签名 Signature	日期 Date
审 定 Authorized By		
审 核 Verified By		
项目负责人 Project Leader		
校 对 Checked By		
设 计 Designed By	海林	
制 图 Drawn By	海林	
执业签字 Engineer Signature		
出图签字 Drawing Release Signature		
项目名称 Project Name	20ft container with 5rooms	
图 名 Title		
工程编号 Project No.	专业 Major	建筑
比 例 Scale	图 号 Drawing No.	
未盖技术出图章 本图纸无效 This drawing is valid only after being stamped and released by the R&D		

Copyright 2016.
 本圖版權歸浙江普天集成房屋有限公司所有，除本工程外對本圖的任何其他用途和複製，必須獲得本公司的書面許可。
 THE OWNERSHIP OF THE COPYRIGHT IN THIS DRAWING REMAINS BY ZHEJIANG PUTIAN INTEGRATED HOUSING CO.,LTD. WRITTEN CONSENT MUST BE OBTAINED BEFORE ANY USE OR REPRODUCTION OF THE DRAWING.



1~2 grid elevation

版本 Rev.	修改內容 Description	日期 Date

Zhejiang Putian integrated housing Co., Ltd.
 Hangzhou Zhonggu Architecture Design (Institute) Co., Ltd.

证书编号	
证书编号	
合作设计单位 Cooperative Designer	

工序 Process	姓名 Signature	日期 Date
审 定 Authorized By		
审 核 Verified By		
项目负责人 Project Leader		
校 对 Checked By		
设 计 Designed By	海林	
制 图 Drawn By	海林	

执业签字
Engineer Signature

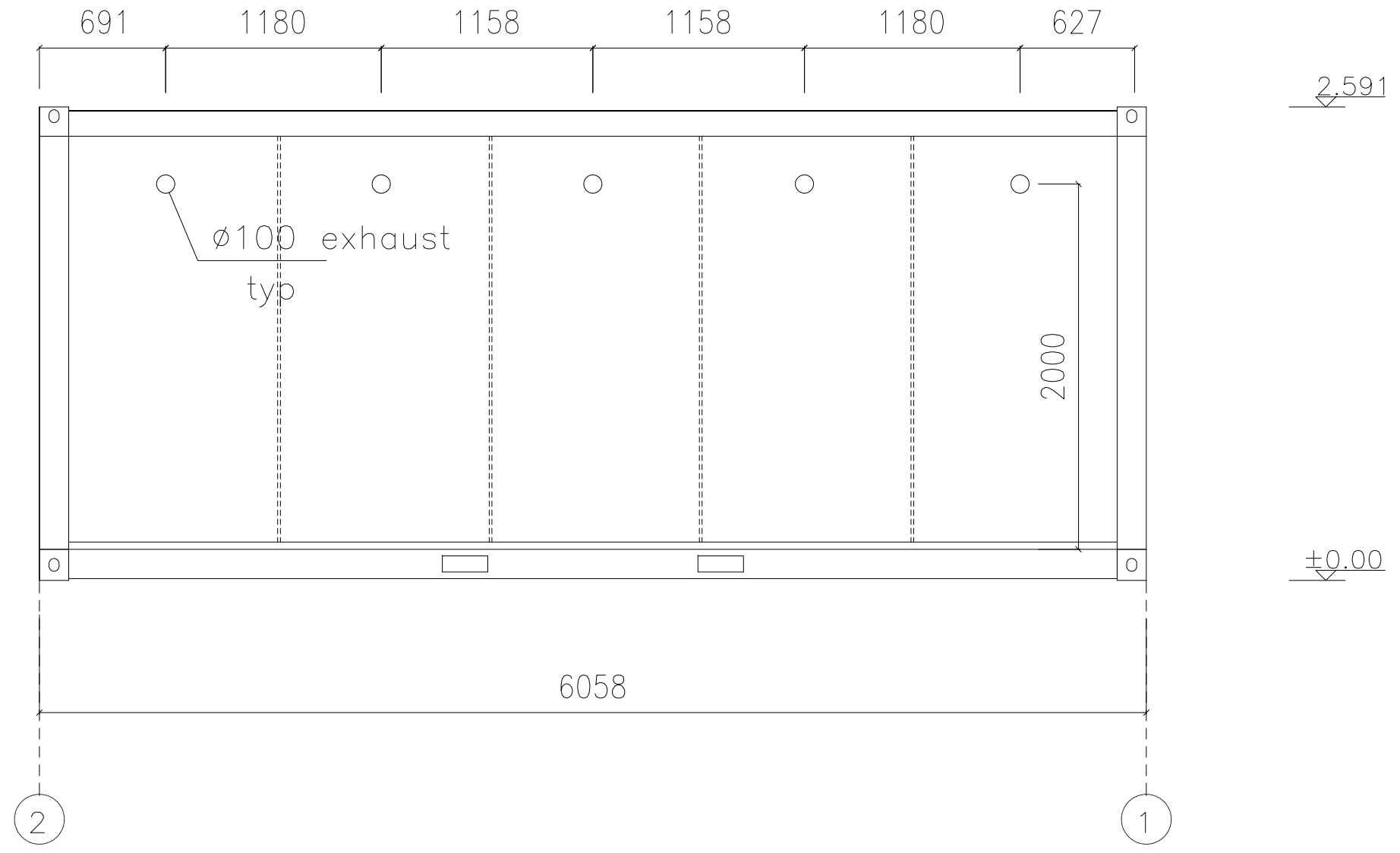
出图签字
Drawing Release Signature

项目名称
Project Name
20ft container with 5rooms

图 名
Title

工程编号 Project No.	专 业 Major	建 筑
比 例 Scale	图 号 Drawing No.	

未盖技术出图章 本图纸无效
 This drawing is valid only after being stamped and released by the R&D



2~1 grid elevation

版本 Rev.	修改內容 Description	日期 Date
------------	---------------------	------------



Zhejiang Putian integrated housing Co., Ltd.
 Hangzhou Zhongou Architecture Design (Institute) Co., Ltd.

证书编号	
------	--

合作设计单位 Cooperative Designer	
--------------------------------	--

工序 Process	签名 Signature	日期 Date
---------------	-----------------	------------

审 定 Authorized By		
----------------------	--	--

审 核 Verified By		
--------------------	--	--

项目负责人 Project Leader		
-------------------------	--	--

校 对 Checked By		
-------------------	--	--

设 计 Designed By	海林	
--------------------	----	--

制 图 Drawn By	海林	
-----------------	----	--

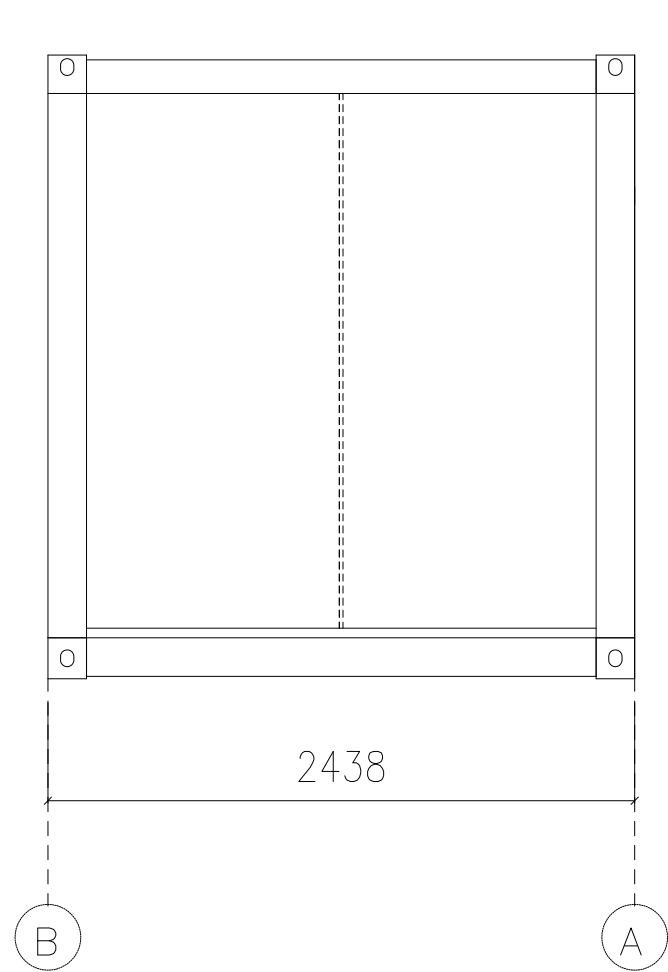
执业签字 Engineer Signature	
----------------------------	--

出图签字 Drawing Release Signature	
-----------------------------------	--

项目名称
Project Name
20ft container with 5rooms

图 名
Title

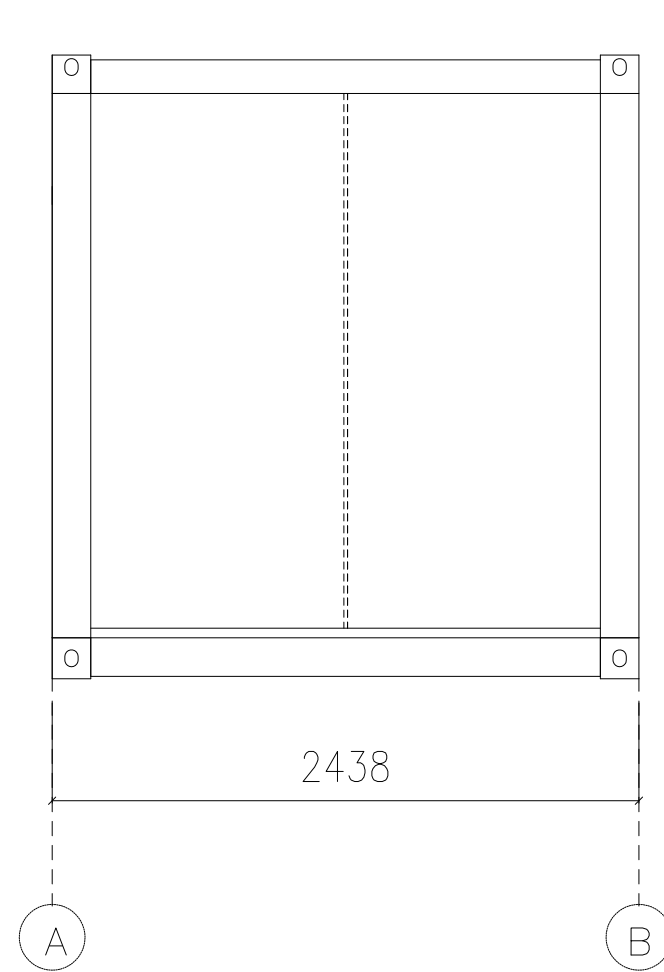
工程编号 Project No.		专业 Major	建筑
比 例 Scale		图 号 Drawing No.	



B~A grid elevation

2.591

±0.00



A~B grid elevation

2.591

±0.00

版本 Rev.	修改內容 Description	日期 Date



Zhejiang Putian integrated housing Co., Ltd.
 Hangzhou Zhongou Architecture Design (Institute) Co., Ltd.

证书编号
 Certificate No.

合作设计单位
 Cooperative Designer

工序 Process	签名 Signature	日期 Date
审 定 Authorized By		
审 核 Verified By		
项目负责人 Project Leader		
校 对 Checked By		
设 计 Designed By		
制 图 Drawn By		

设计
Designed By

制图
Drawn By

项目负责人
Project Leader

校 对
Checked By

审 核
Verified By

审 定
Authorized By

工程签字
Engineer Signature

项目名称
Project Name

20ft container with 5rooms

图 名
Title

未盖技术出图章 本图纸无效
 This drawing is valid only after being stamped and released by the R&D